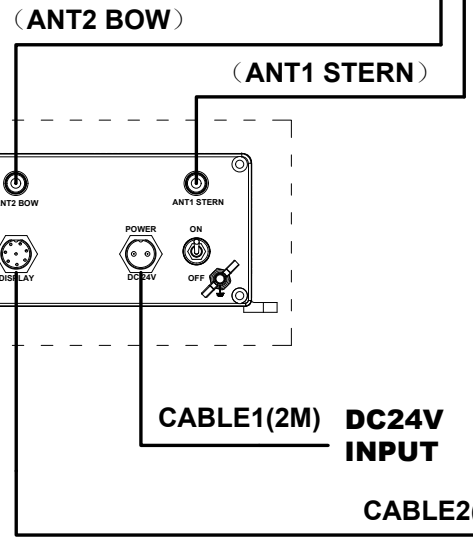
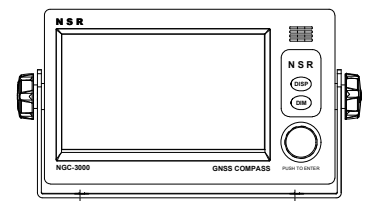
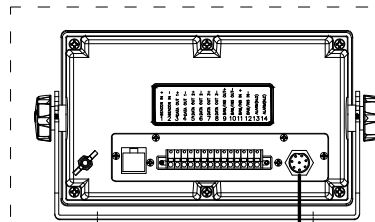
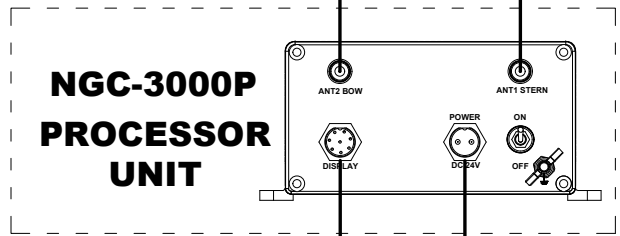
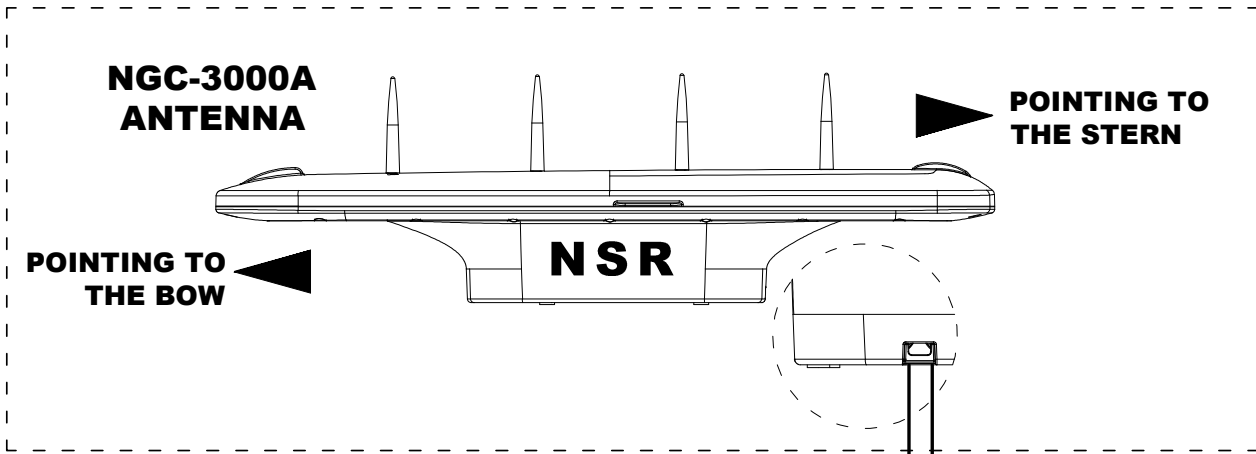
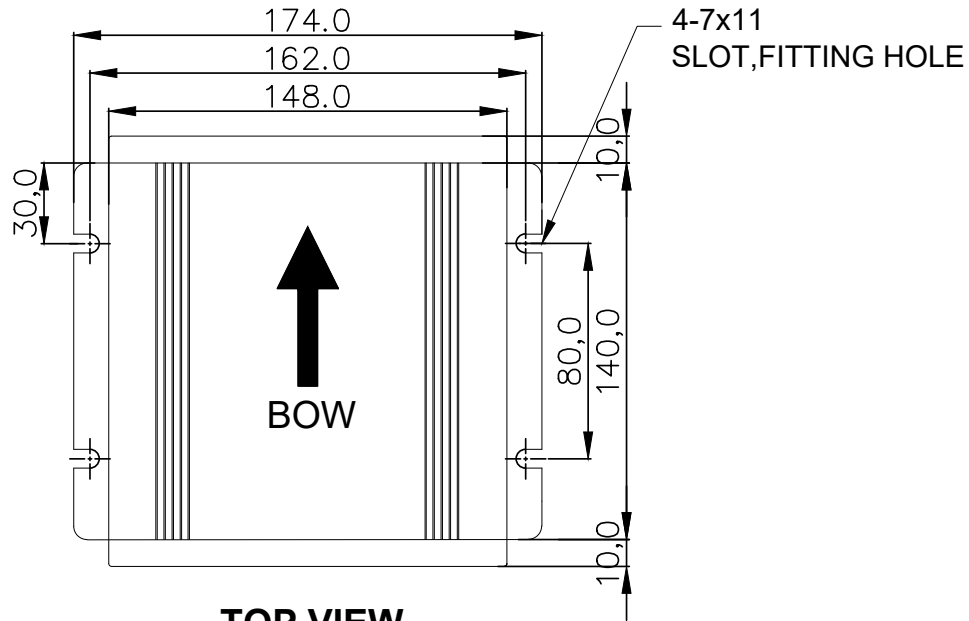


NO.	DATE	REVISION & DESCRIPTION	REVIEWER	CHECKER
			SIGNATURE	

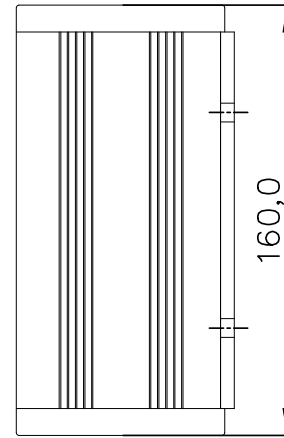


APPLICATION		NGC-3000 SYSTEM DIAGRAM					
DATE		ITEM				SIZE	A4
APPROVAL		SCALE	N/S	UNIT	mm	mm	mm
CHECKED		NSR		NEW SUNRISE CO., LTD.			
DRAWING							
DATE	2016.01.01						

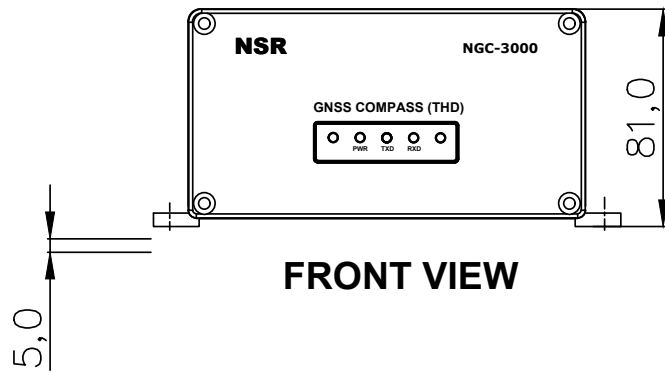
NO.	DATE	REVISION & DESCRIPTION	REVIEWER	CHECKER
			SIGNATURE	



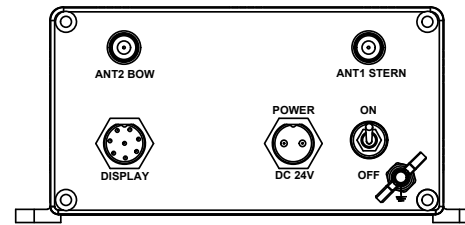
TOP VIEW



SIDE VIEW



FRONT VIEW

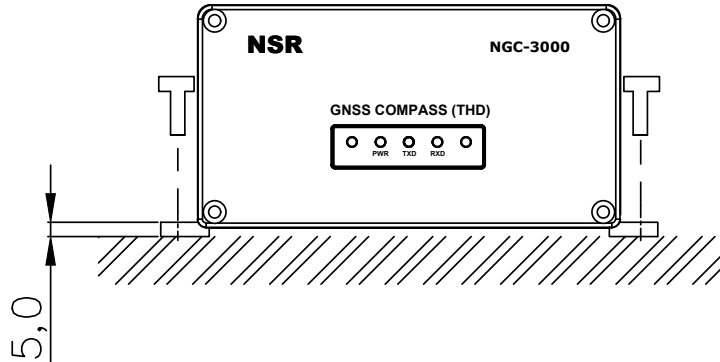
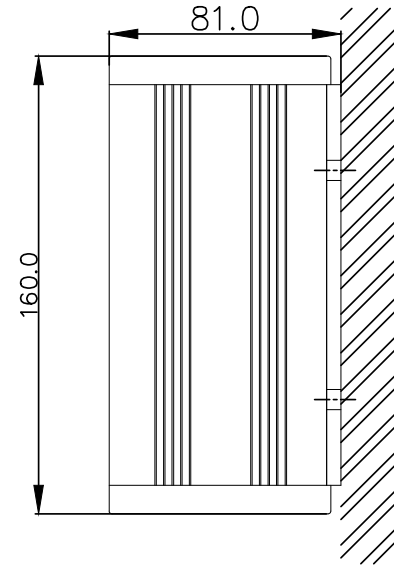
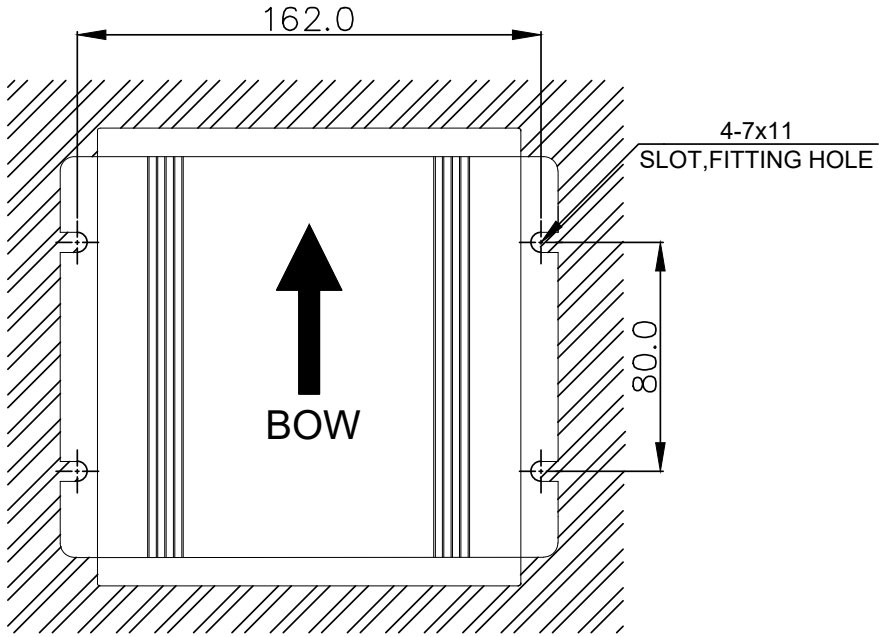



REAR VIEW

APPLICATION		NGC-3000 PROCESSOR UNIT SIZE DRAWING									
DATE		ITEM	SCALE	M/S	UNIT	IMP.	FORM	✓✓✓✓✓	✓✓✓✓✓	✓✓✓	✓✓✓
APPROVAL											
CHECKED											
DRAWING											
TWG:MT		NGC3000-ID-002									

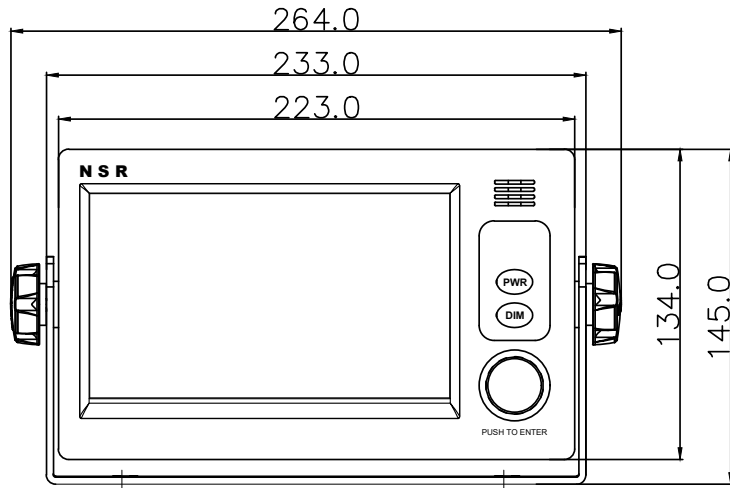


NO.	DATE	REVISION & DESCRIPTION	REVIEWER	CHECKER
			SIGNATURE	SIGNATURE
△				

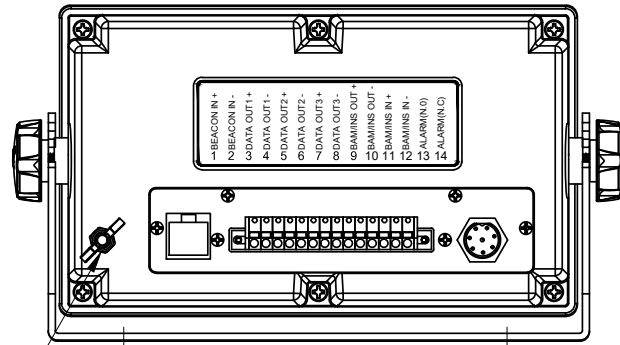


APPLICATION		NGC-3000 PROCESSOR UNIT MOUNTING DRAWING					
DATE		ITEM		SIZE	A4		
APPROVAL		SCALE	N/S	UNIT	mm		
CHECKED		DRW. NO.		REV. NO.	001	001	
DRAWING				NEW SUNRISE CO., LTD.			
DATE		NGC3000-ID-003					

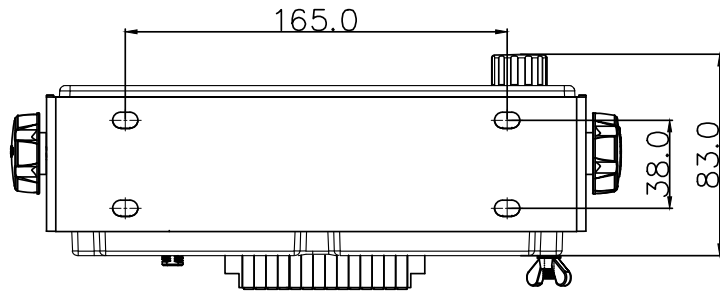
NO.	DATE	REVISION & DESCRIPTION	REVIEWER	CHECKER



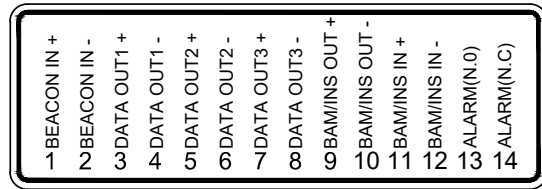
FRONT VIEW



REAR VIEW

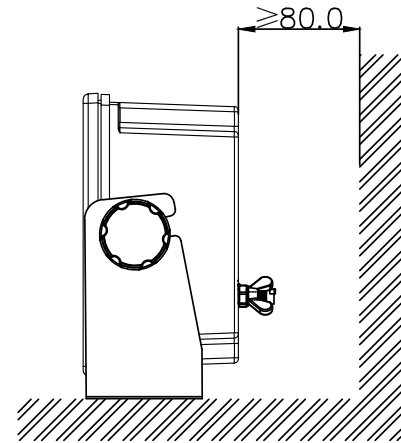
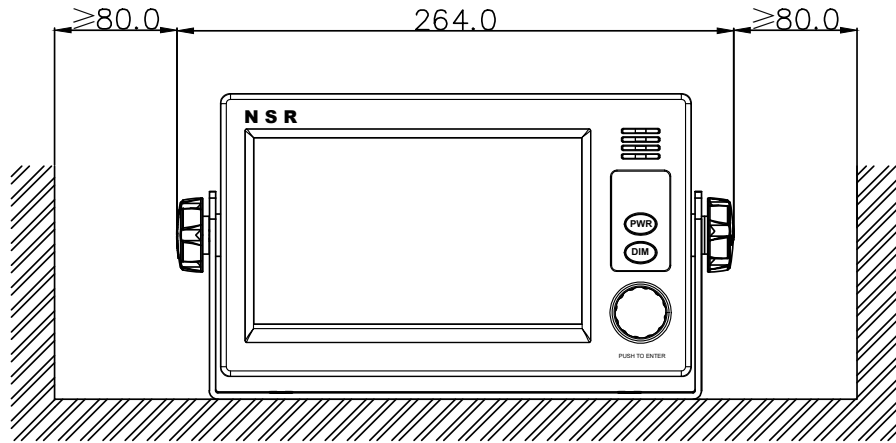


BOTTOM VIEW

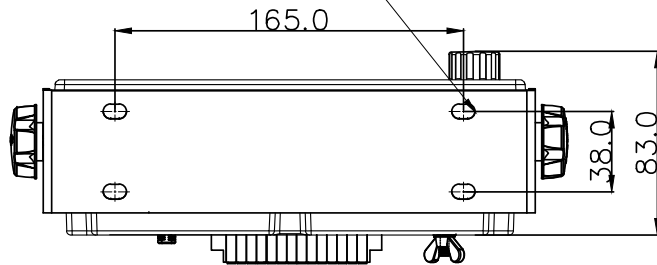


APPLICATION		NGC-3000 DISPLAY UNIT SIZE DRAWING				SIZE	A4
DATE		ITEM					
APPROVAL		SCALE	M/S	UNIT	mm	mm	mm
CHECKED		NSR		NEW SUNRISE CO., LTD.			
DRAWING		NGC3000-ID-004					
DATE							

NO.	DATE	REVISION & DESCRIPTION	REVIEWER	CHECKER
			SIGNATURE	SIGNATURE
△				



4-7x11 SLOT, FITTING HOLE

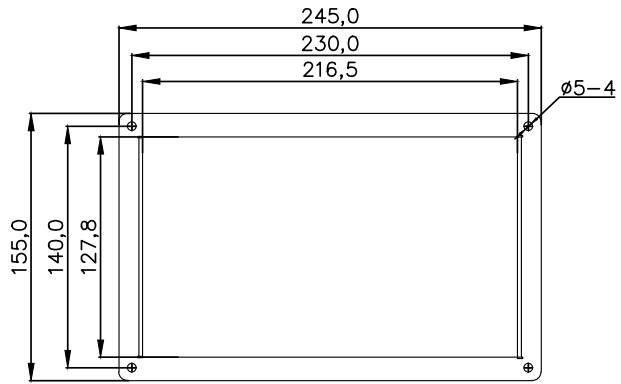
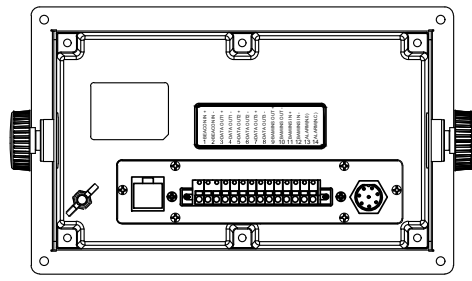
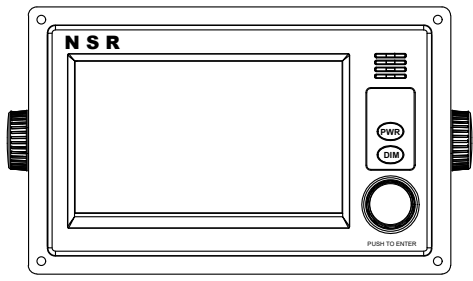
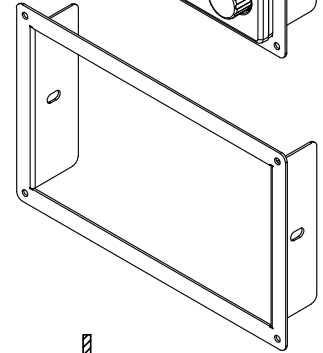
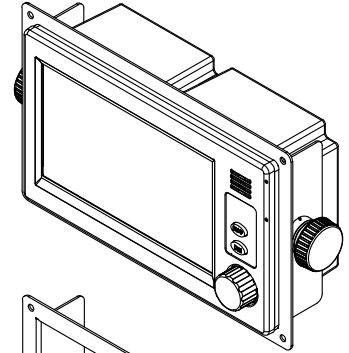
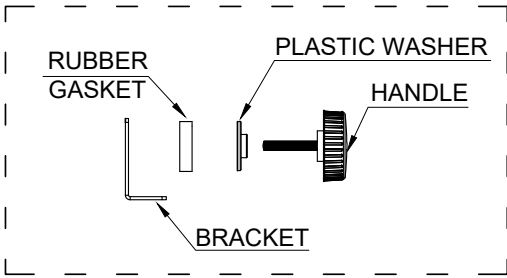
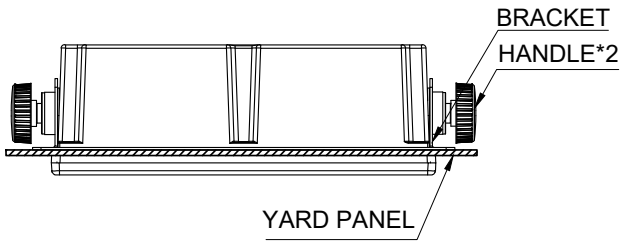


NOTE: TABLE TYPE

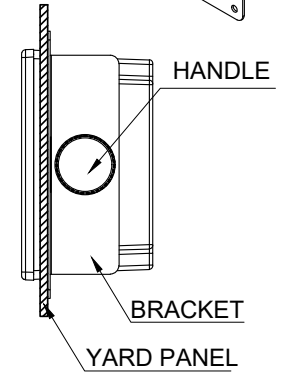
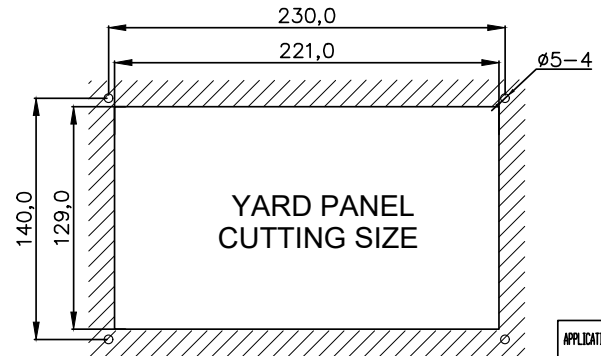
1. USE SELF-TAPPING SCREWS M5X20 FOR FIXING THE UNIT.
2. 80MM IS MINIMUM SPACE FOR OPERATION AND CABLING.


APPLICATION		NGC-3000 DISPLAY UNIT MOUNTING DRAWING (TABLE TYPE)									
DATE		ITEM		SCALE	M/S	UNIT	mm	PROJ.		SIZE	A4
APPROVAL		CHECKED									
DRAWING		NSR		NEW SUNRISE CO., LTD.							
DATE		NGC3000-ID-005									

NO.	DATE	REVISION & DESCRIPTION	REVIEWER	CHECKER
			SIGNATURE	SIGNATURE
				

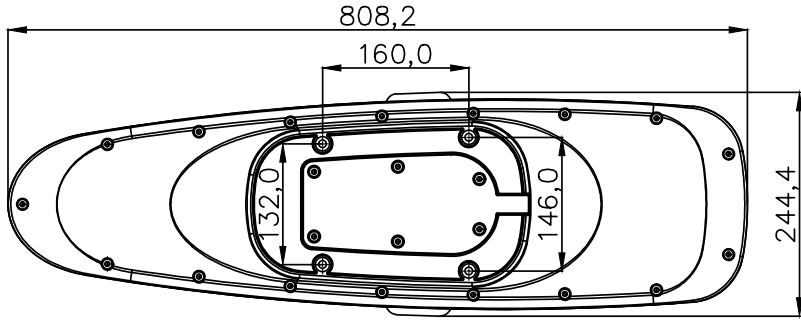
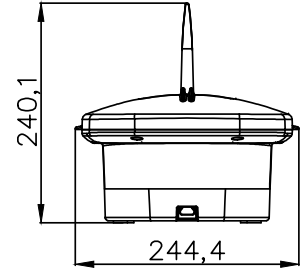
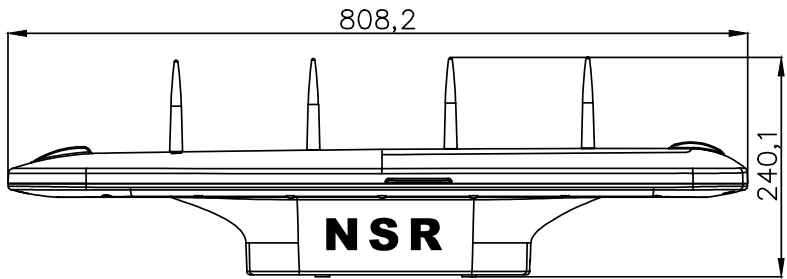
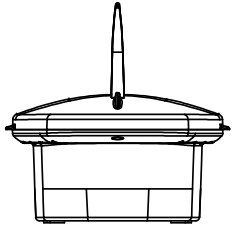
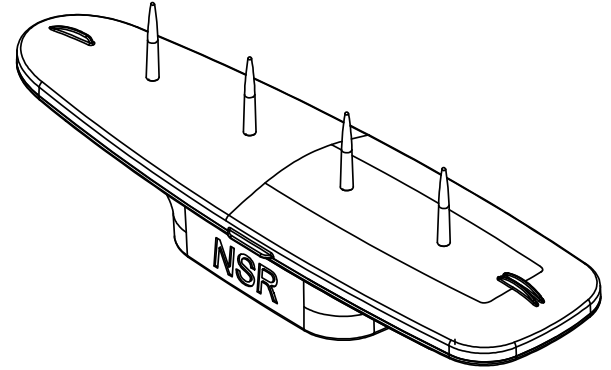
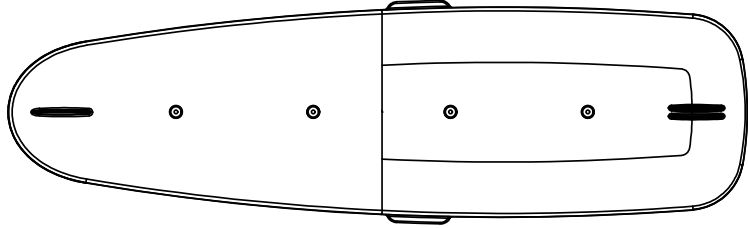


MOUNTING BRACKET SIZE



APPLICATION		NGC-3000 DISPLAY UNIT MOUNTING DRAWING (FLUSH TYPE)							
DATE		ITEM	SCALE	M/S	UNIT	IMP.	FORM	SIZE	A4
APPROVAL		CHECKED						✓✓✓✓	✓✓✓✓
DRAWING				NEW SUNRISE CO., LTD.					
TIME	NGC3000-ID-006								

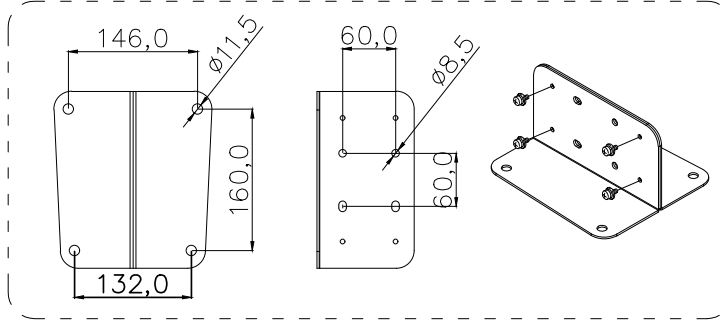
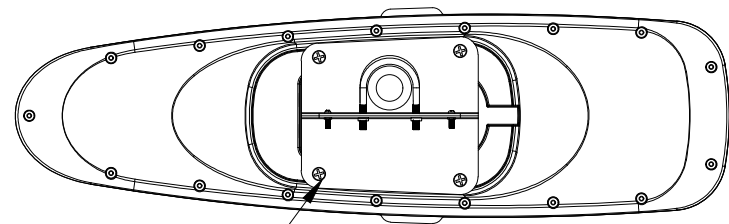
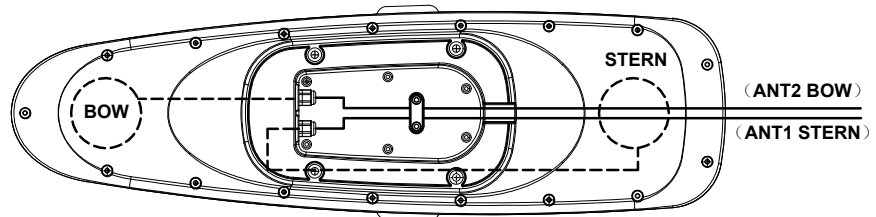
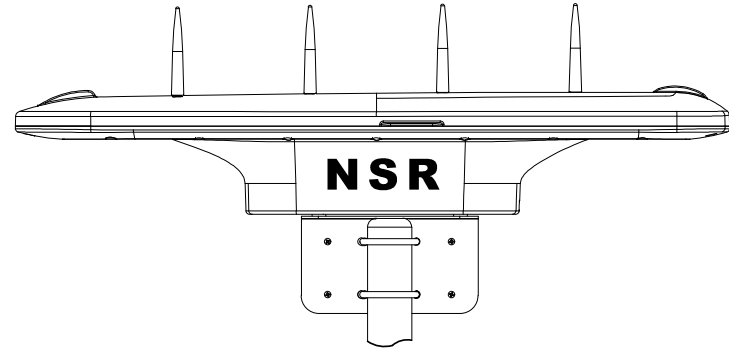
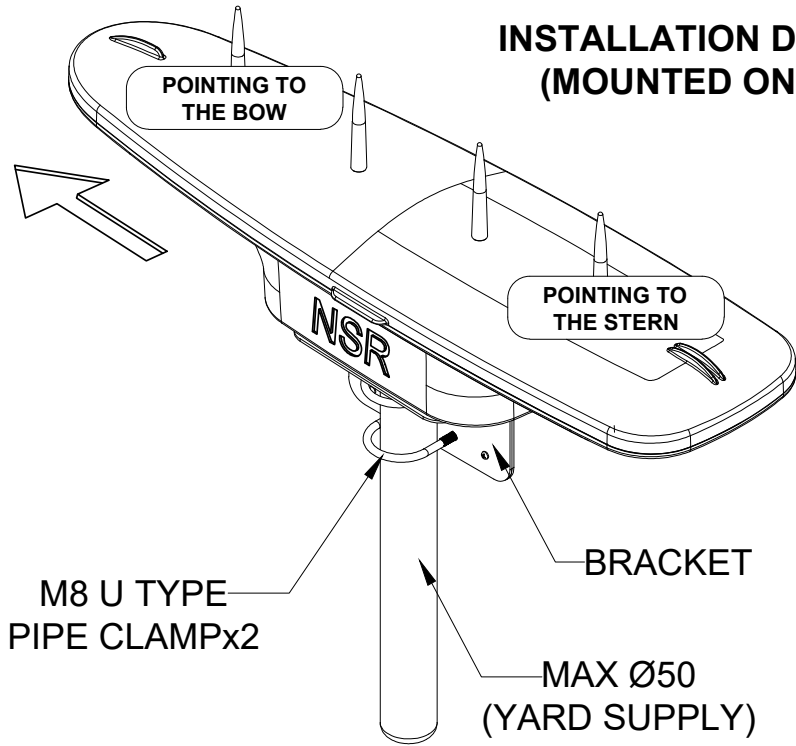
NO.	DATE	REVISION & DESCRIPTION	REVIEWER	CHECKER
			SIGNATURE	
△				




APPLICATION		NGC-3000 ANTENNA SIZE DRAWING						SIZE	A4
DATE		SCALE	M/S	UNIT	mm	mm	mm	mm	
APPROVAL		ITEM		NO.	REV.	DATE	DATE	DATE	
CHECKED		NSR							
DRAWING		NEW SUNRISE CO., LTD.							
TIME: ML	NGC3000-ID-007								

NO.	DATE	REVISION & DESCRIPTION	REVIEWER	CHECKER
			SIGNATURE	SIGNATURE

INSTALLATION DIAGRAM (MOUNTED ON PIPE)

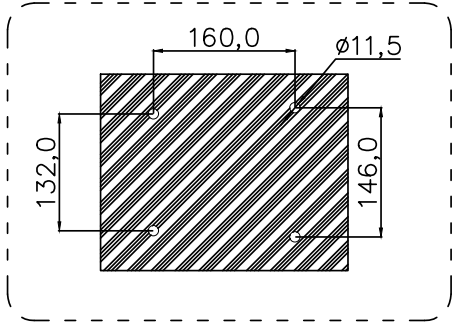
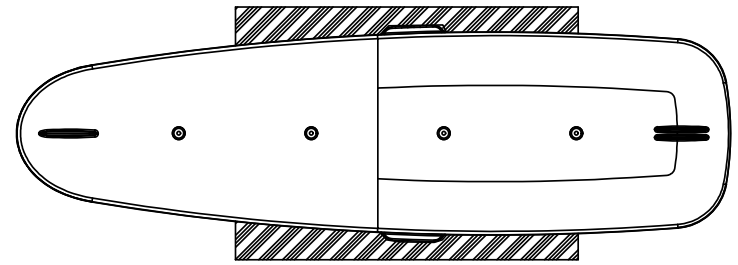
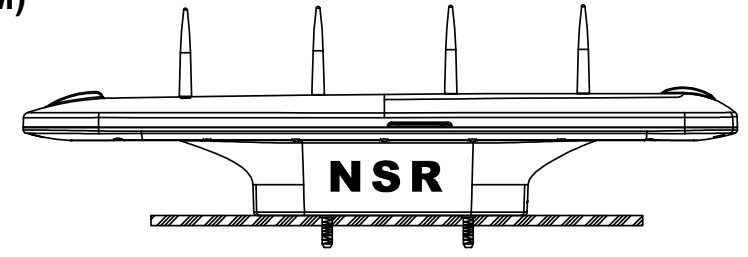
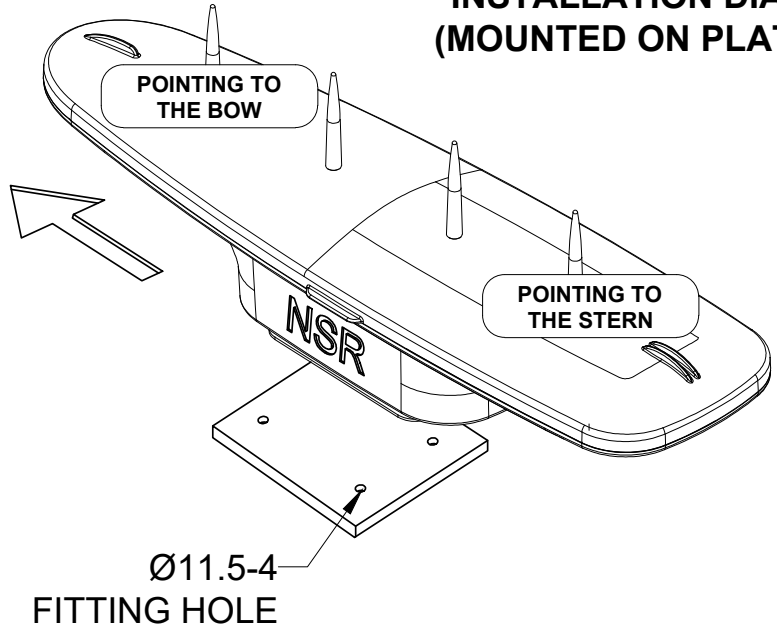


MOUNTING BRACKET SIZE DRAWING

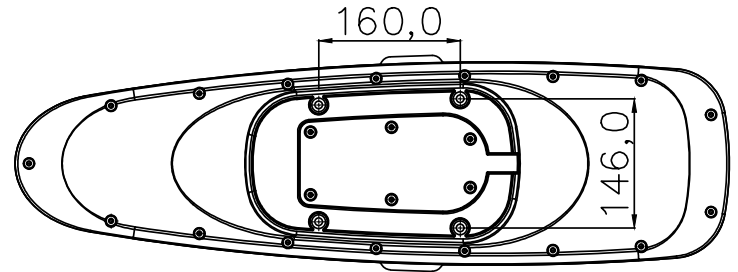
APPLICATION		NGC-3000 ANTENNA MOUNTING DRAWING			
DATE		ITEM		SIZE	A4
APPROVAL		SCALE	M/S	UNIT	mm
CHECKED		REV.		DATE	
DRAWING				NEW SUNRISE CO., LTD.	
DATE: 01		NGC3000-ID-008			


NO.	DATE	REVISION & DESCRIPTION	REVIEWER	CHECKER
			SIGNATURE	SIGNATURE

INSTALLATION DIAGRAM (MOUNTED ON PLATFORM)



HOLE SIZE



APPLICATION		NGC-3000 ANTENNA MOUNTING DRAWING									
DATE		ITEM		SCALE	M/S	UNIT	mm	PROJ.		SIZE	A4
APPROVAL		CHECKED									
DRAWING				NEW SUNRISE CO., LTD.							
DATE		NGC3000-ID-009									