

NSR Technical Notice

NSR23-TN01

Very Important

Issued on 18th April 2023

1. Subject

New firmware for NHR-1500 MF/HF Radio.

Unit name	Firmware version	Purpose	Applied for
Control Unit	App_NHR_20230418_V118 <i>See Note a</i>	To protect antenna coupler from being damaged by holding on transmitting via SSB/DSC until the tuning in antenna coupler has been completed.	All NHR-1500
Transceiver Unit (NHR201 PCB)	App_NHR201_20230406_V113 <i>See Note a & b</i>	To protect antenna coupler from being damaged by holding on transmitting via NBDP until the tuning in antenna coupler has been completed.	Only those NHR-1500 with NBDP

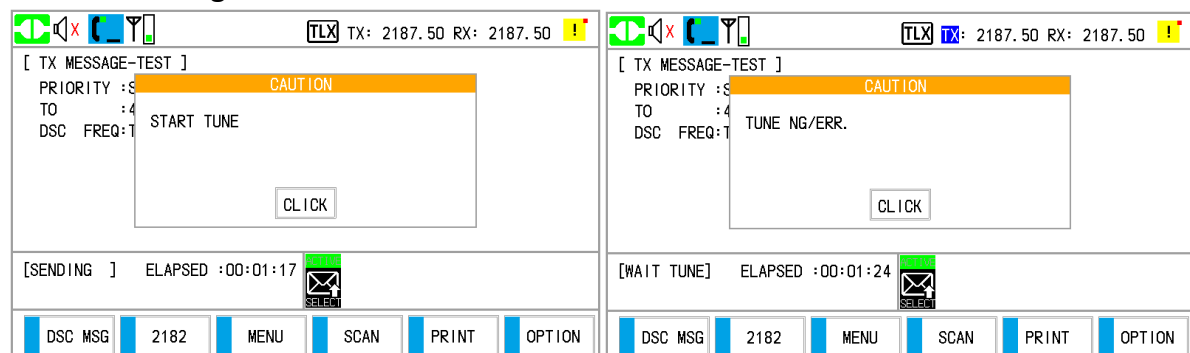
Note:

- a. The new firmware and upgrading instructions can be found in Distributor Area of NSR website since April 19th 2023.
- b. NBD-100 NBDP terminal needs upgrading to new firmware (Version 2010, 2023/3/24) too.

2. Description in details

With the new firmware, whenever transmitting via SSB/DSC/NBDP on a new frequency (different from previous transmission), the transceiver unit will hold on transmitting until the tuning in antenna coupler is completed.

2.1 Transmitting via DSC



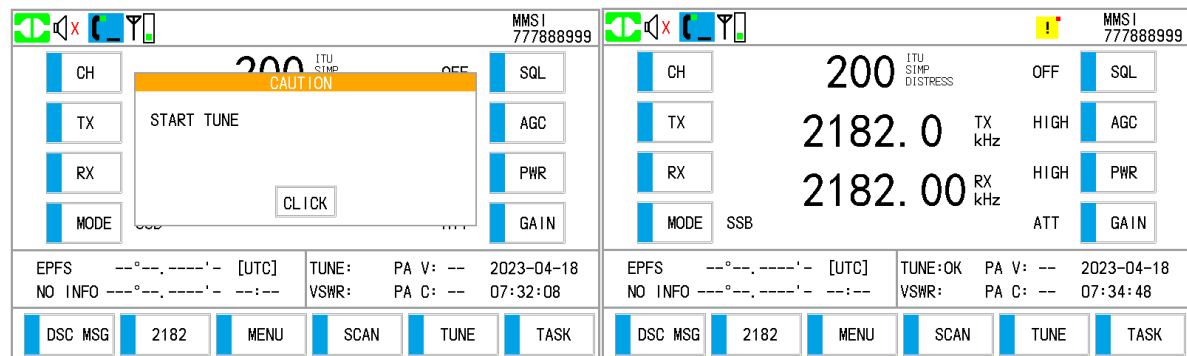
NEW SUNRISE CO., LTD.

TEL: +86 512 66733733
FAX: +86 512 66730261
Email: info@nsrmarine.com
www.nsrmarine.com

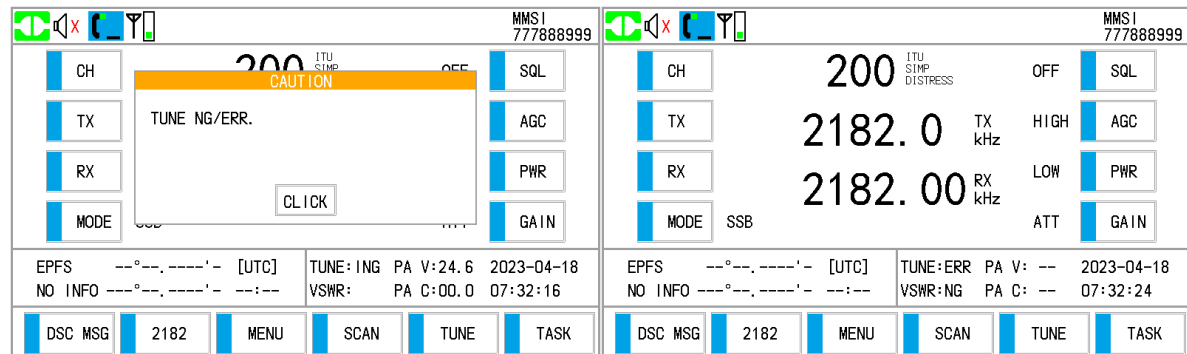


When a DSC call is initiated on a new frequency (different from previous transmission), "START TUNE" window in Control Unit screen will pop up to suggest tuning in process at antenna coupler. After 2 seconds, the caution window will automatically disappear if tuning has been successfully completed, and the DSC call will be transmitted at HIGH power. Otherwise, "TUNE NG/ERR" window will pop up, and the DSC call will be transmitted at LOW power.

2.2 Transmitting via SSB



When a SSB voice call is initiated on a new frequency (different from previous transmission) by selecting power at HIGH or MED, "START TUNE" window in Control Unit screen will pop up to suggest tuning in process at antenna coupler. After 2 seconds, the caution window will automatically disappear if the tuning has been successfully completed, and the SSB call will be transmitted at HIGH power.



Otherwise, "TUNE NG/ERR" window will pop up, and the SSB call will only be transmitted at LOW power.

Issued by NSR A/S, Q/A