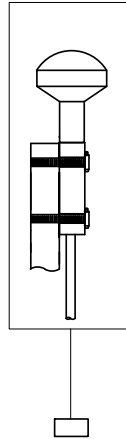
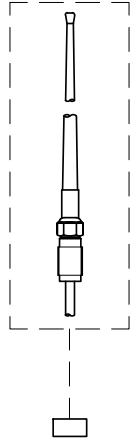


NO.	DATE	REVISION & DESCRIPTION	REVIEWER	CHECKER
			SIGNATURE	
△				

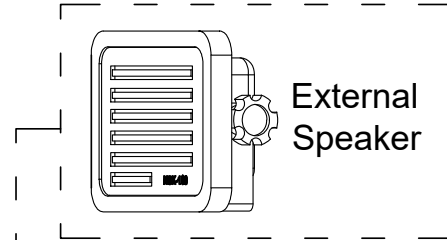
**NGA100
GNSS ANTENNA**



**NVA100
VHF ANTENNA**

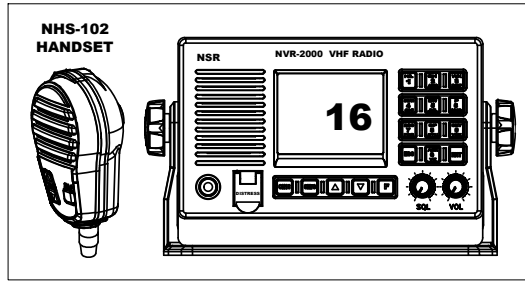


(OPTION)



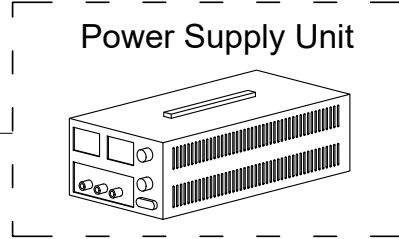
External
Speaker

**NSK-100
(OPTION)**



**NHS-102
HANDSET**

NVR-2000



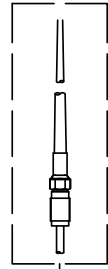
Power Supply Unit

**PS-10B
(OPTION)**

APPLICATION		NVR-2000 SYSTEM DIAGRAM					
DATE		ITER				SIZE	A4
APPROVAL		SCALE	N/S	UNIT	mm	mm	mm
CHECKED		NSR		NEW SUNRISE CO., LTD.			
DRAWING		NSR		NEW SUNRISE CO., LTD.			
DWG. NO.	NVR2000-ID-001						

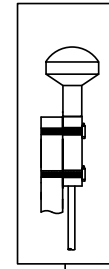
NO.	DATE	REVISION & DESCRIPTION	REVIEWER	CHECKER
			SIGNATURE	SIGNATURE
△				

**NVA100
VHF ANTENNA**



PL-259 Type

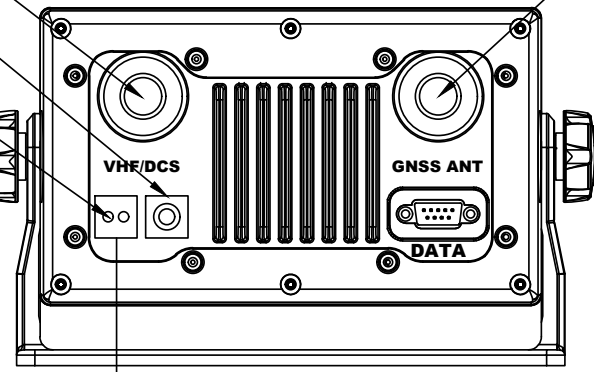
**NGA100
GNSS ANTENNA**



TNC

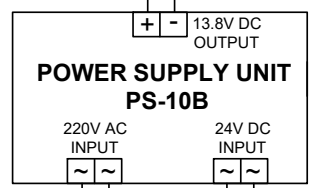
NVA100 VHF ANTENNA
EXTERNAL SPEAKER
DC13.8V

NGA100 GNSS ANTENNA



NVR-2000

2x2.5
13.8VDC



**POWER SUPPLY UNIT
PS-10B**

220V AC INPUT

24V DC INPUT

13.8V DC OUTPUT

2x1.5

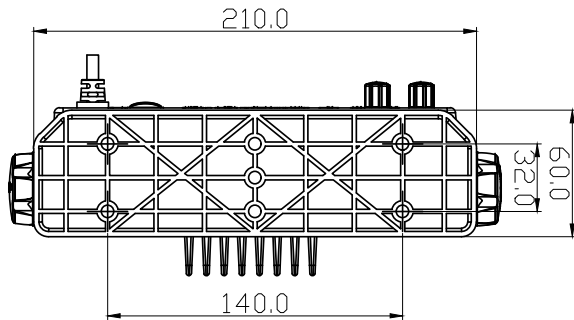
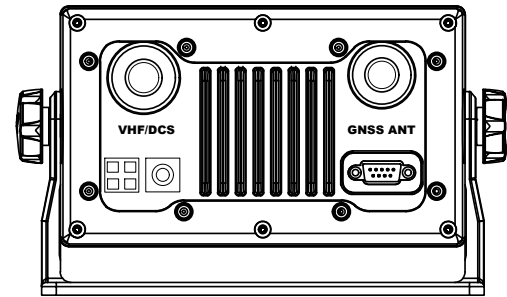
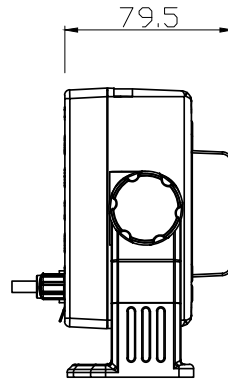
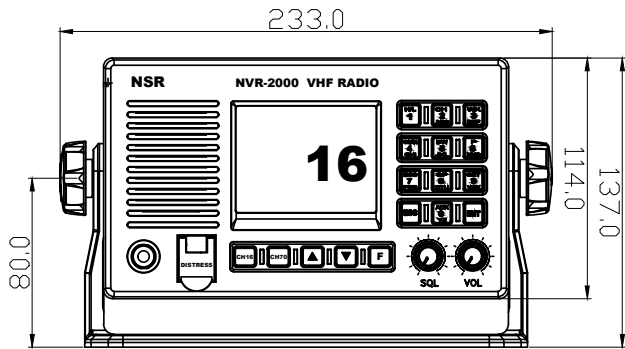
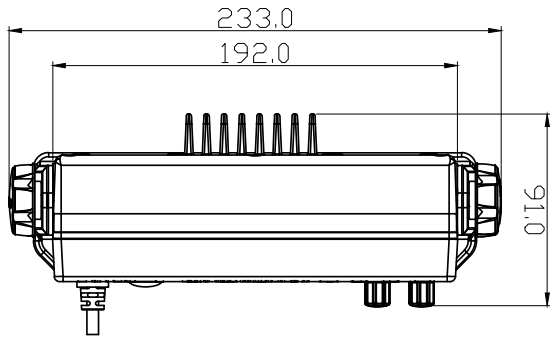
2x2.5


220V AC

24V DC

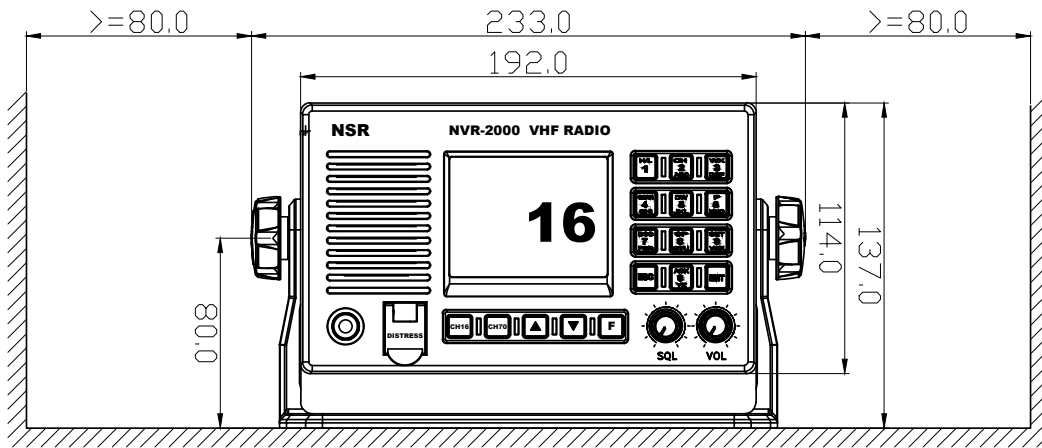
APPLICATION		NVR-2000 PORT DEFINITION DIAGRAM							
DATE		ITEM						SIZE	A4
APPROVAL		SCALE	N/S	UNIT	mm	mm	mm	mm	mm
CHECKED		NSR		NEW SUNRISE CO., LTD.					
DRAWING									
DWG. NO.	NVR2000-ID-002								

NO.	DATE	REVISION & DESCRIPTION	REVIEWER	CHECKER
			SIGNATURE	SIGNATURE

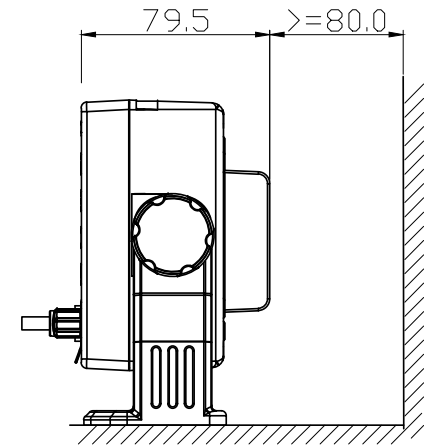


APPLICATION		NVR-2000 SIZE DRAWING						
DATE		SCALE	N/S	UNIT	mm	PROJ.	SIZE	A4
APPROVAL								
CHECKED								
DRAWING								
DWG. NO.	NVR20004D-003				NEW SUNRISE CO., LTD.			

NO.	DATE	REVISION & DESCRIPTION	REVIEWER	CHECKED
			SIGNATURE	
▲				



FRONT VIEW



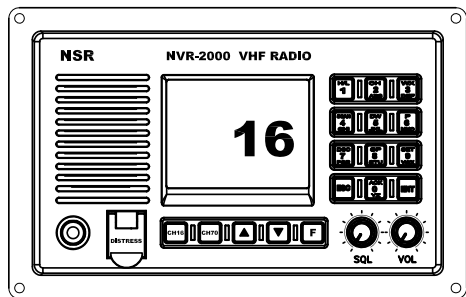
SIDE VIEW

NOTE: TABLE TYPE

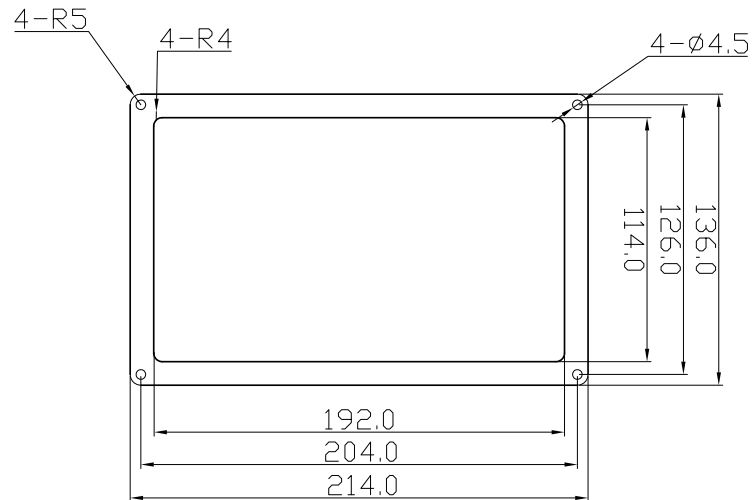
1. USE SELF-TAPPING SCREWS M5X20 FOR FIXING THE UNIT.
2. 80MM IS MINIMUM SPACE FOR OPERATION AND CABLING.

APPLICATION		NVR-2000 MOUNT DRAWING (TABLE TYPE)					
DATE		ITEM				SIZE	AA
APPROVAL		SCALE	N/S	UNIT	mm	PROJ	00000000 00000000 00000000 00000000
CHECKED		NSR		NEW SUNRISE CO., LTD.			
DRAWING							
DWG. NO.	NVR2000-ID-004						

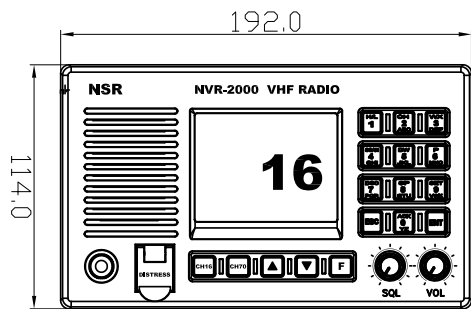
NO.	DATE	REVISION & DESCRIPTION	REVIEWED	CHECKED
△				



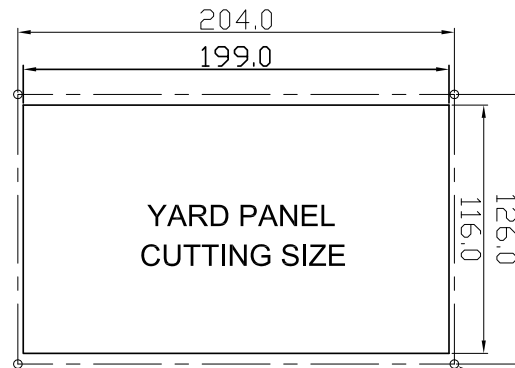
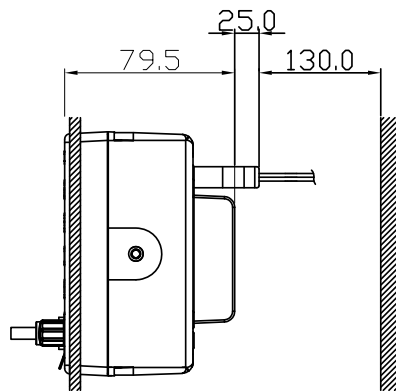
INSTALL EFFECT DIAGRAM



BRACKET DIMENSION



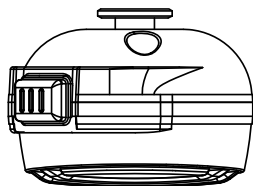
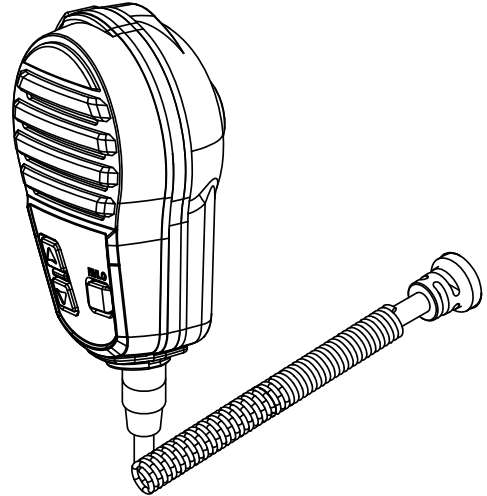
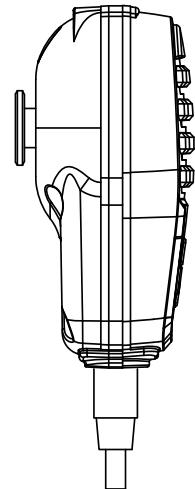
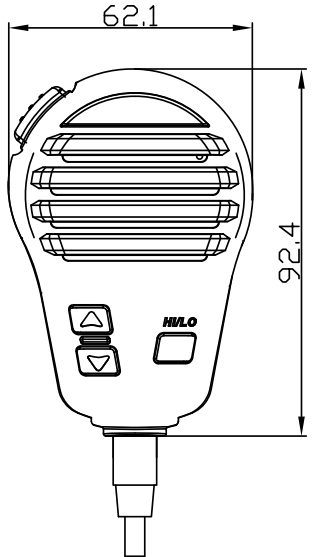
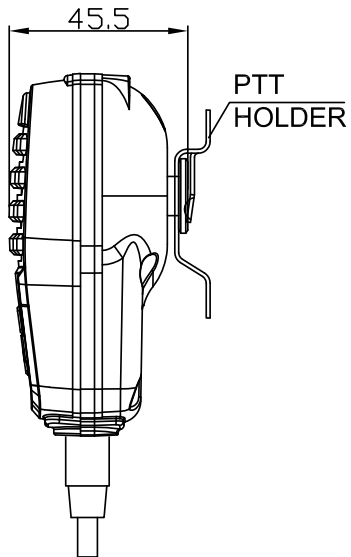
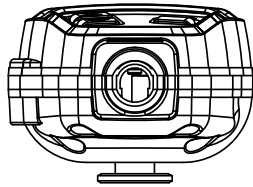
DIMENSIONAL DRAWING



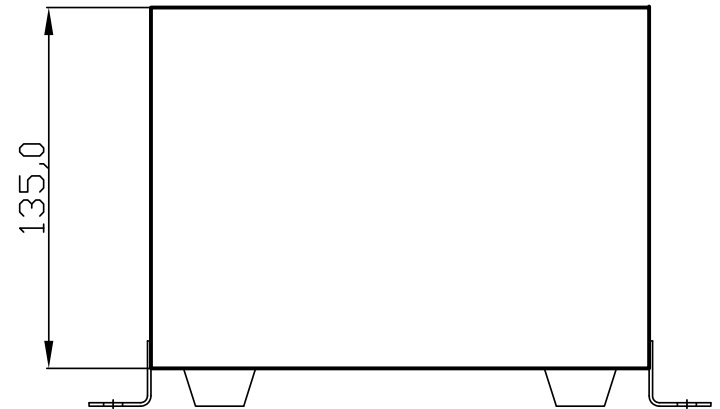
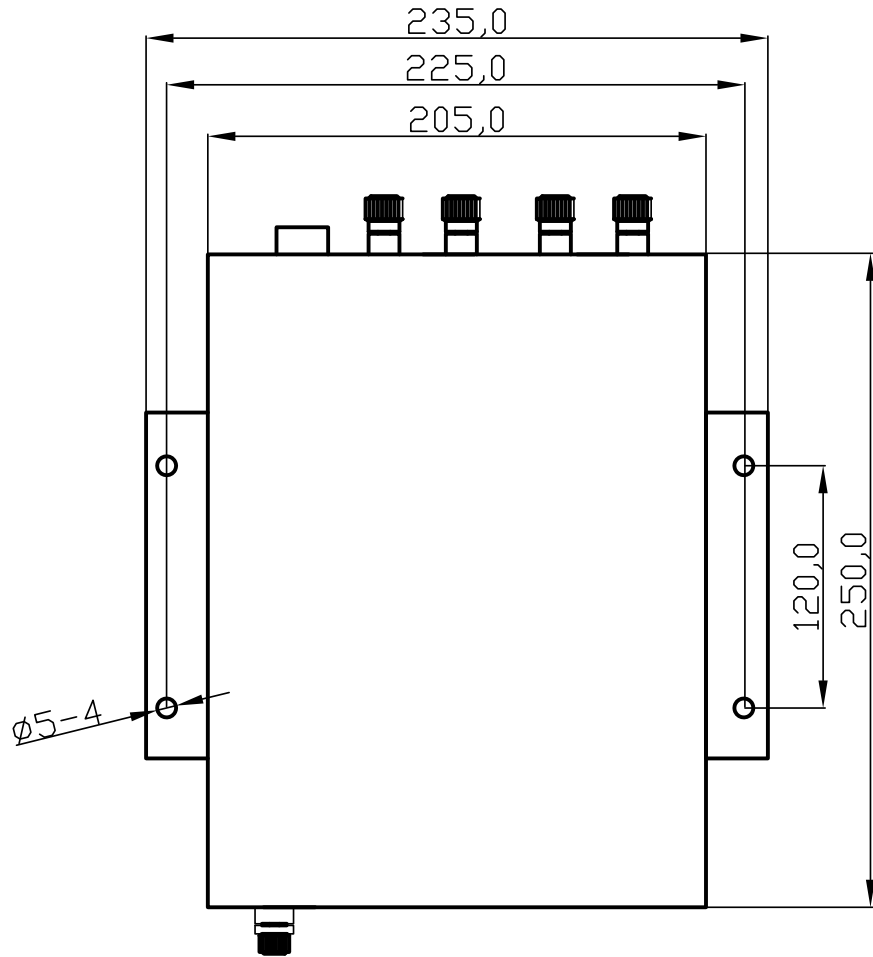
CUTTING SIZE


APPLICATION		NVR-2000 MOUNT DRAWING (FLUSH TYPE)					
DATE		SCALE	N/S	UNIT	mm	STP	M
APPROVAL		CHECKED					
DRAWING		NSR		NEW SUNRISE CO., LTD.			
FIG. NO.	NVR2000-ID-005	marine					

NO.	DATE	REVISION & DESCRIPTION	REVIEWED	CHECKED
△			SIGNATURE	

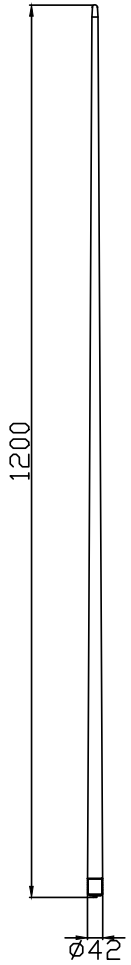


APPLICATION		NHS-102 MICROPHONE SIZE DRAWING								
DATE		ITEM							SIZE	MM
APPROVAL		SCALE	N/S	UNIT	mm	PROJ	000	000	000	000
CHECKED		NSR		NEW SUNRISE CO., LTD.						
DRAWING		marine								
ENG. NO.	NVR2000-ID-006									



APPLICATION		PS-10B SIZE DRAWING(13.8V/10A)			
DATE		ITEM			SIZE A4
APPROVAL		SCALE	N/S UNIT mm	☐	vvvv vv vv ▽
CHECKED					
DRAWING					
DWG. NO.	NVR2000-ID-007			NEW SUNRISE CO., LTD.	

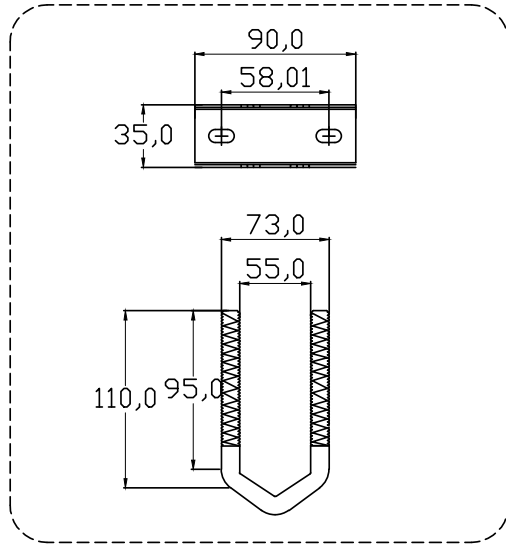
NO.	DATE	REVISION & DESCRIPTION	REVIEWER	CHECKER
			SIGNATURE	
△				



NVA100
ANTENNA

HOOP X2

MAX Ø50
(YARD SUPPLY)

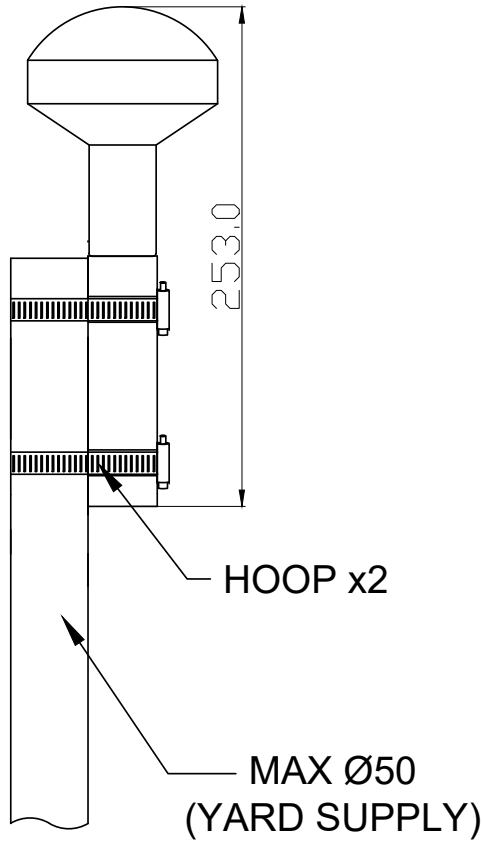


VHF ANTENNA	
PART NO.	NVA100
TOTAL LENGHT	1200mm
FREQ RANGE	155MHZ~162MHZ
INPUT IMPEDANCE	50Ω
GAIN	3.5dbi

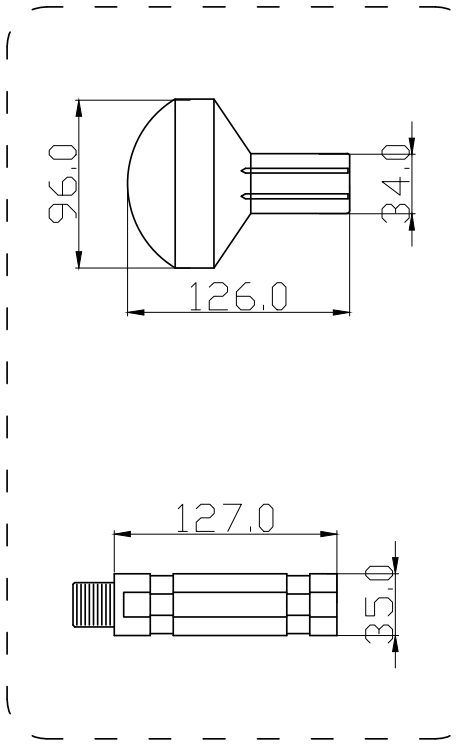
APPLICATION		NVA100 VHF ANTENNA SIZE DRAWING					
DATE		ITER		SCALE		SIZE	A4
APPROVAL		SCALE	N/S	UNIT	mm	mm	mm
CHECKED		NSR		NEW SUNRISE CO., LTD.			
DRAWING							
DWG. NO.	NVR2000-ID-008						

NO.	DATE	REVISION & DESCRIPTION	REVIEWER	CHECKER
			SIGNATURE	SIGNATURE
△				

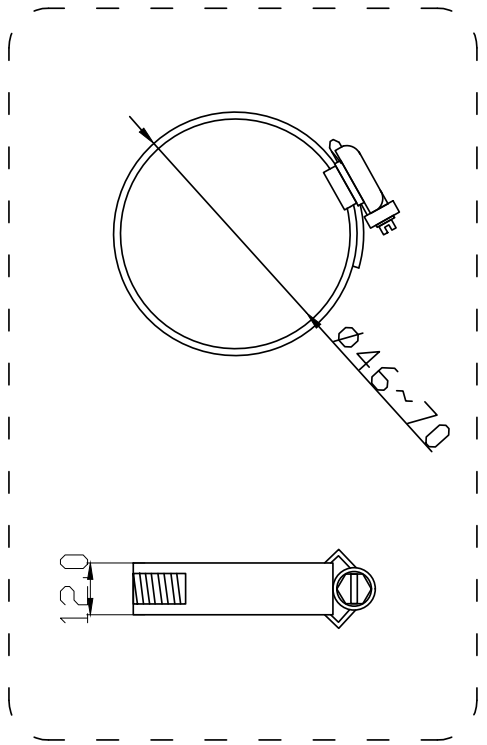
NGA100 GNSS ANTENNA



ANTENNA & MOUNT POLE



HOOP SIZE



APPLICATION		NGA100 ANTENNA SIZE&MOUNTING DRAWING					
DATE		ITEM				SIZE	A4
APPROVAL		SCALE	N/S	UNIT	mm	PROJ.	
CHECKED		NSR		NEW SUNRISE CO., LTD.		DESIGN	
DRAWING		NVR2000-ID-009				DATE	
DWG. NO.							